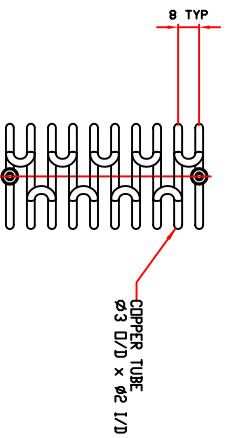
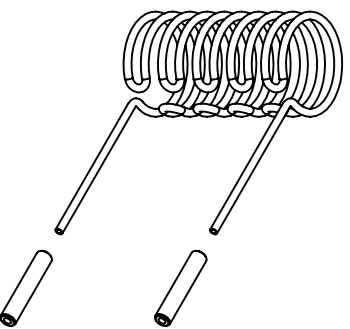
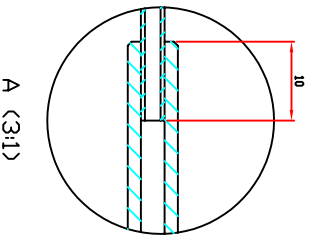
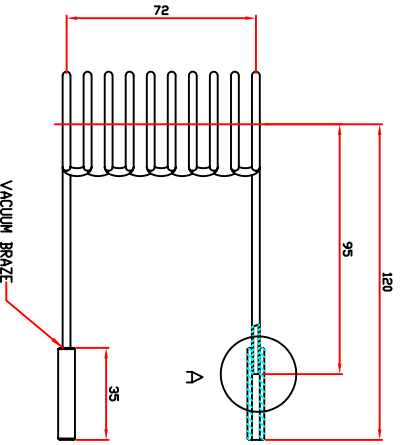
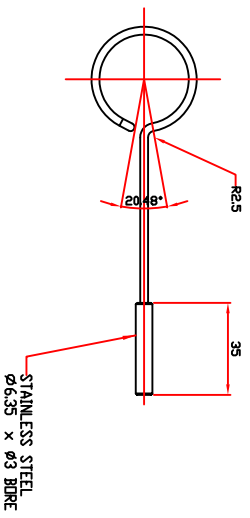


- Notes:
- 1) Clean and degrease
 - 2) Remove all burrs
 - 3) Tolerances unless stated:
Linear $\pm 0.5\text{mm}$, angular 0.25°
 - 5) Surface texture $\sqrt{16}$



THIRD ANGLE PROJECTION DRAWING PREPARED IN ACCORDANCE TO BS308		GENERAL SURFACE FINISH: $\mu\text{m CLA R}_a$ UNLESS OTHERWISE STATED		DIMENSIONS: mm	
MATERIAL: Copper		HEAT & SURFACE TREATMENT: 16		TITLE: SMALL BORE COOLING TUBE	
<p>ALL PROPRIETARY RIGHTS IN THE SUBJECT MATTER HEREOF ARE RESERVED BY SHEFFIELD UNIVERSITY AND NO PERMISSION IS GRANTED TO REPRODUCE THIS PRINT IN WHOLE OR IN PART, OR TO DISCLOSE ANY OF THE INFORMATION UNLESS IT TO OTHERS.</p>					
ISSUE	DATE	INITIAL	ISSUE	DATE	INITIAL
	1/05/08				
MM					
CHK					
APP.					
SCALE: 1:1		DATE: 1/05/08		DRAWING NUMBER: TD-SU-20	
DRAWN: M. MOHAMMAD		UNIVERSITY OF SHEFFIELD DEPARTMENT OF PHYSICS & ASTRONOMY SHEFFIELD S3 7RH Tel: 0114-2223547		A4	